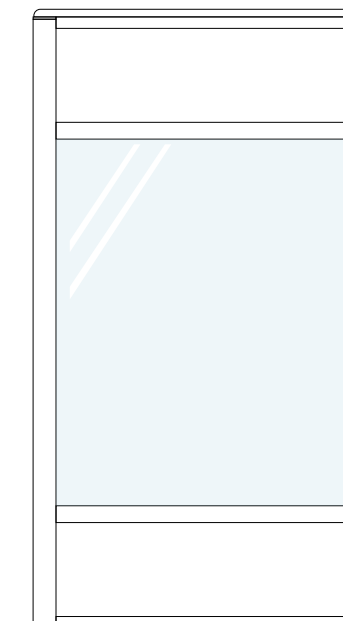


Calithrex
15 years dedicated to electric heated towel racks

Calithrex



Product Model
EB01



Table of Contents

Important Safety Instructions	01
Packing List	02
Control Panel Description	03
Installation Instructions	04
Plug-in Installation	06
Hardwired Installation	07
Basic Parameters	09
After-Sales Service & Support	09

IMPORTANT SAFETY INSTRUCTIONS

Safety in Use: Do not completely wrap the heated towel rack with bath towels or other fabrics for more than 8 hours, as this will block heat dissipation, affect product lifespan.



Maintain air circulation on both sides of the product

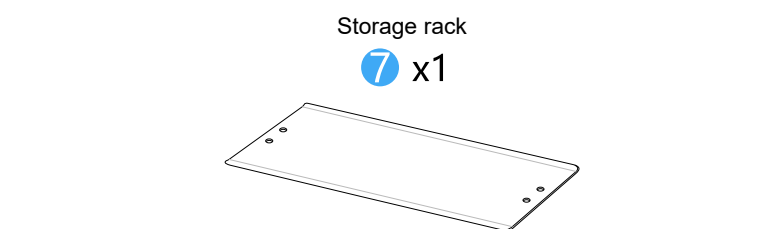
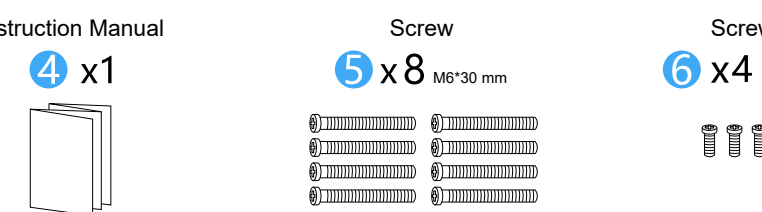
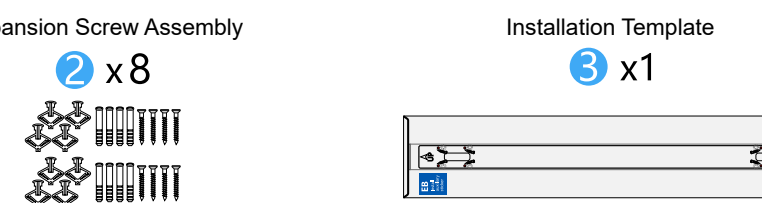
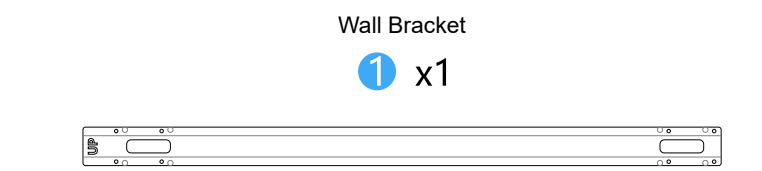


The product is completely enclosed

1

Calithrex

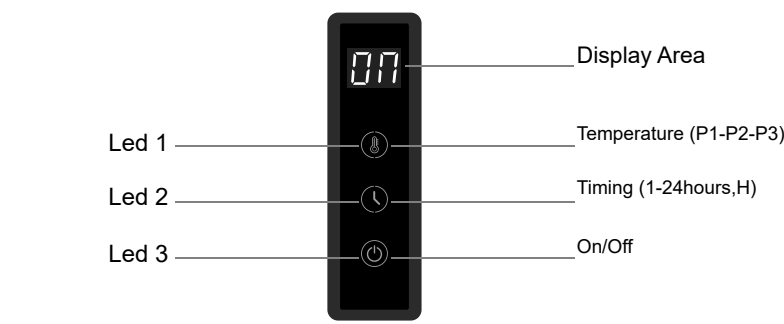
1.Packing List



2

Calithrex

2.Control Panel Description



Power On/Off When in standby mode, LED1 pulses with a breathing light effect while the digital display remains off. Press the Power button to turn on the device. Once powered on, the display shows the set temperature or timer value, and LED1, LED2, and LED3 illuminate.

To power off, press the Power button again. LED1 will resume the breathing effect, and the display will turn off.

Temperature Setting When powered on, press the Temp button; the display will flash to indicate temperature adjustment mode. Press Temp repeatedly to cycle through values: P1 → P2 → P3 → P1 → P2. If no button is pressed for 5 seconds, the display stops flashing and the setting is saved automatically.

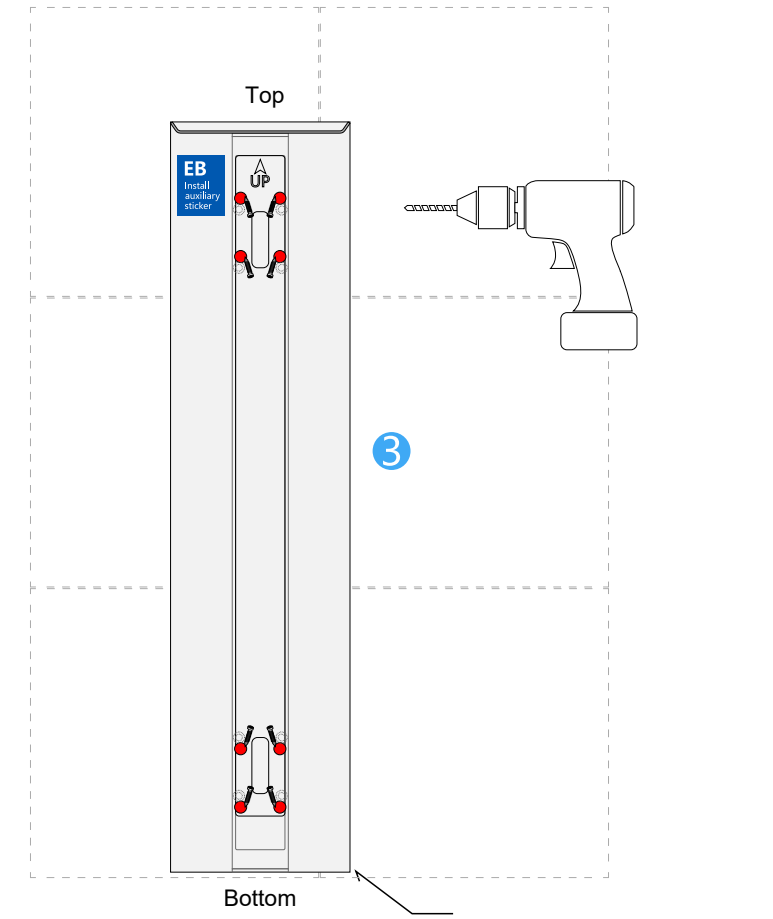
Timer Setting When powered on, press the Timer button to view the current timer setting. If no timer is set, the display shows "--". Press Timer again to cycle through: 1h → 2h → 3h → 4h → ... → 24h → H (continuous mode). The setting is saved automatically after 5 seconds of inactivity, and the display will show the remaining time.

3

Calithrex

3.Installation Instructions

Step 1:
Position the mounting template on the wall to mark drilling points, then drill holes using an M6 drill bit.

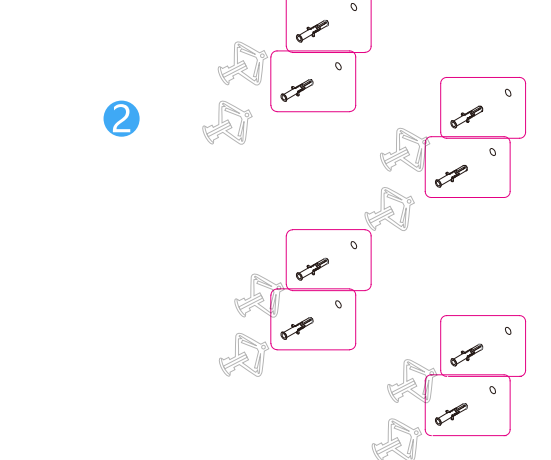


4

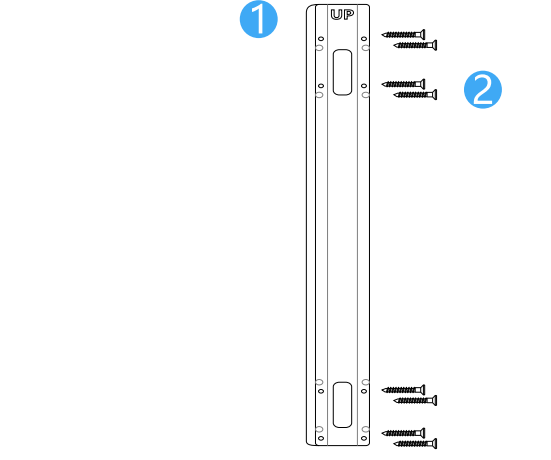
Calithrex

3.Installation Instructions

Step 2:
Insert expansion screws (2) or drywall anchors (2)



Step 3:
Mount the wall brackets (1) to the wall using the screw assemblies (2).

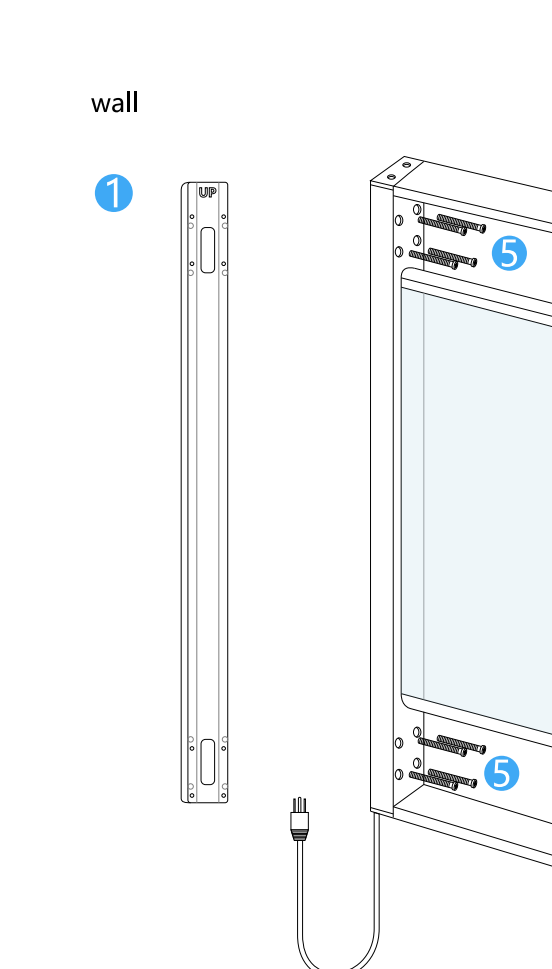


5

Calithrex

3.Installation Instructions

***Step 4:(Plug-in installation)**
Mount the Main body to the (1) using the screw assemblies (5).

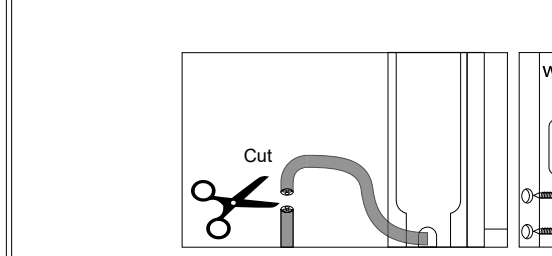


6

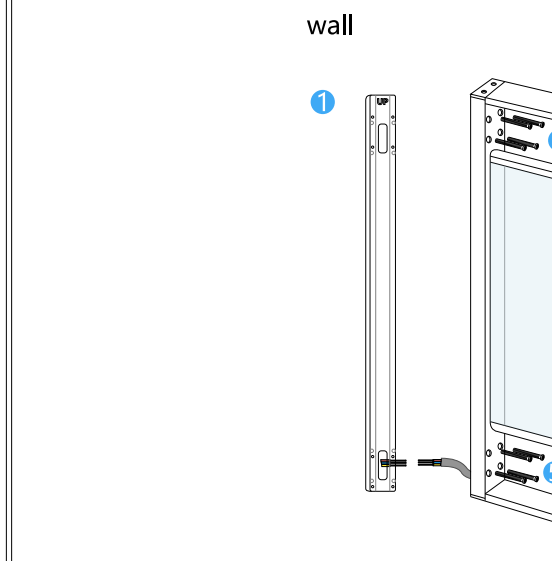
Calithrex

3.Installation Instructions

***Step 5:(Hardwired Installation)**
1.Cut off the product's power cord. (must be performed by a qualified electrician only)
2.Connect the power cord reserved in the wall to the power cord of the product main body.



Step 6:
Mount the Main body heats to the (1) using the screw assemblies (5).

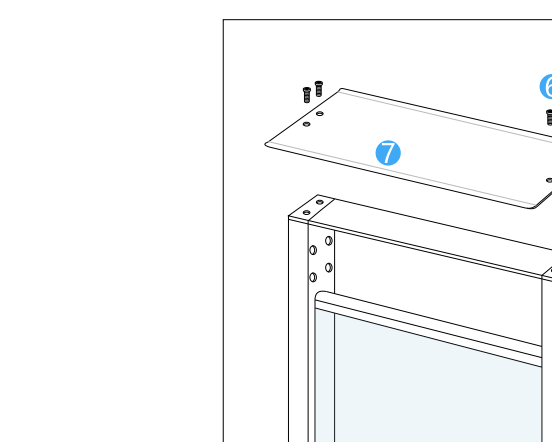


7

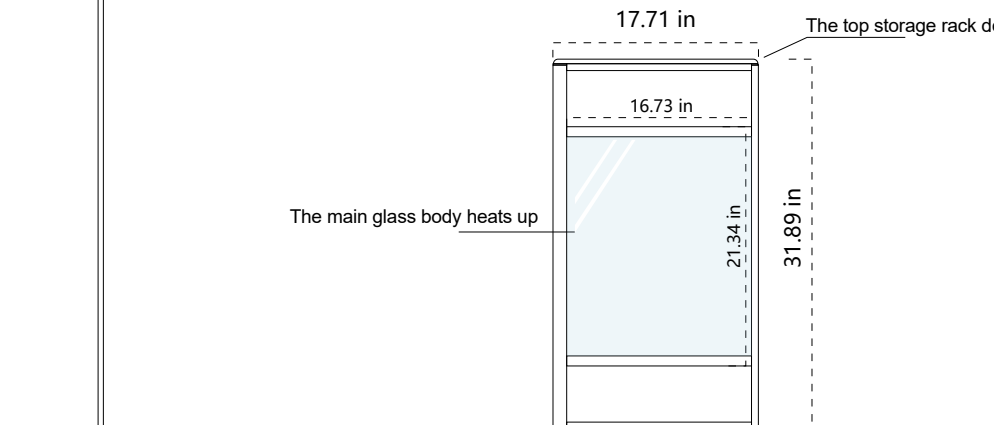
Calithrex

3.Installation Instructions

Step 7:
Secure the storage rack (7) to the main body using screws (6).



4.Product Overview



8

Calithrex

5.Basic Parameters

EB Series Electric heated Towel Rack

MODEL EB01-810X450 mm	POWER RATING 280W
INPUT VOLTAGE AC 110V	DRYING RANGE P1 /P2 /P3 (104 /122 /140 °F)
COLOUR Multiple Options	WATERPROOF GRADE IPX4
This product comes with a one-year product warranty <small>Except: damage caused by human factors</small>	

6.After-Sales Service & Support



If you need any support
Where to Find Us:

- Scan the QR code in the instruction manual
- Scan the QR code on the product side
- Contact us directly via email at service@calithrex.com

9